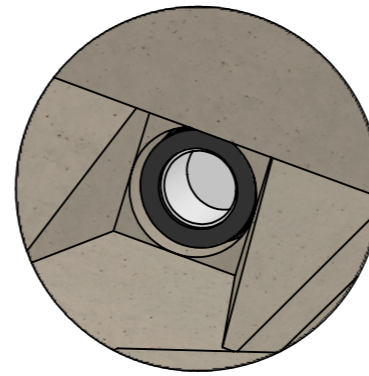
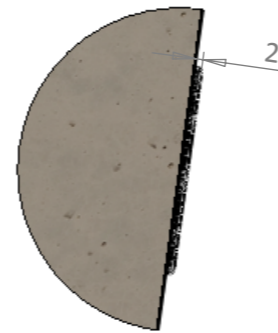


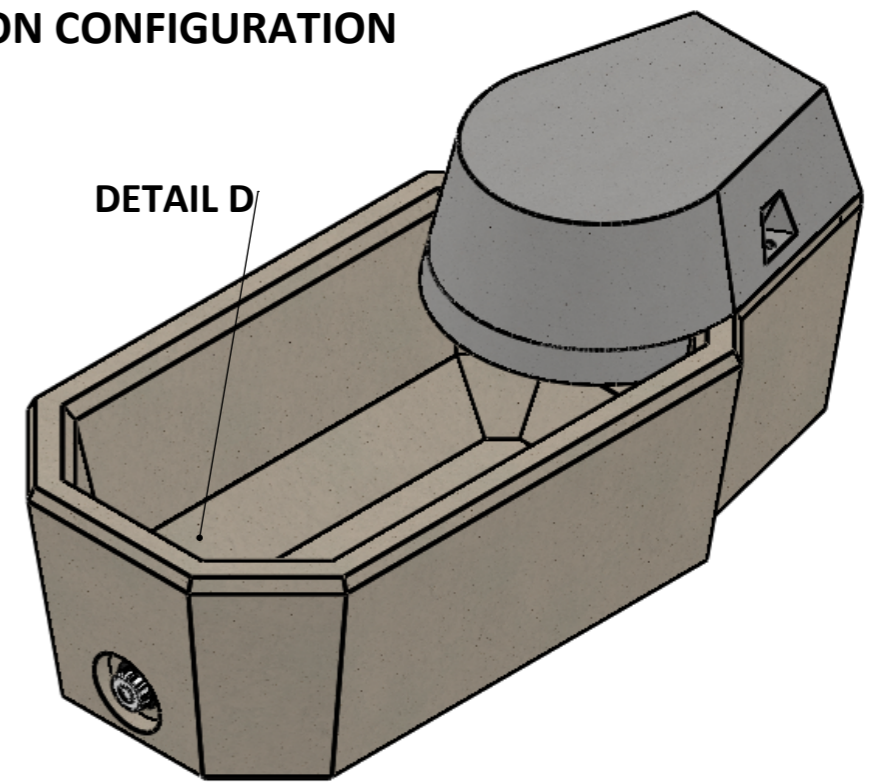
DETAIL D
SCALE 1 : 4



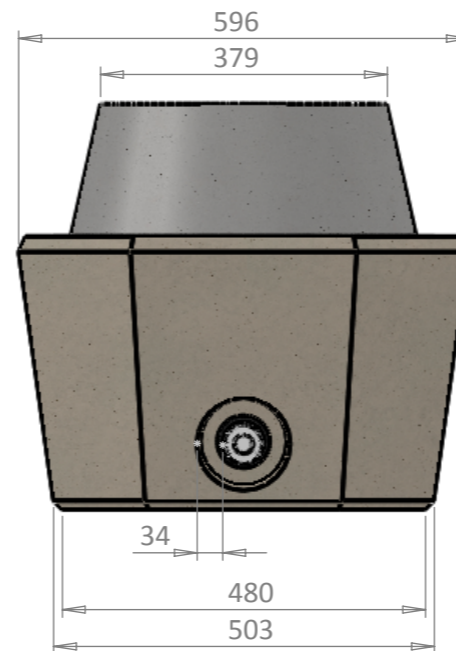
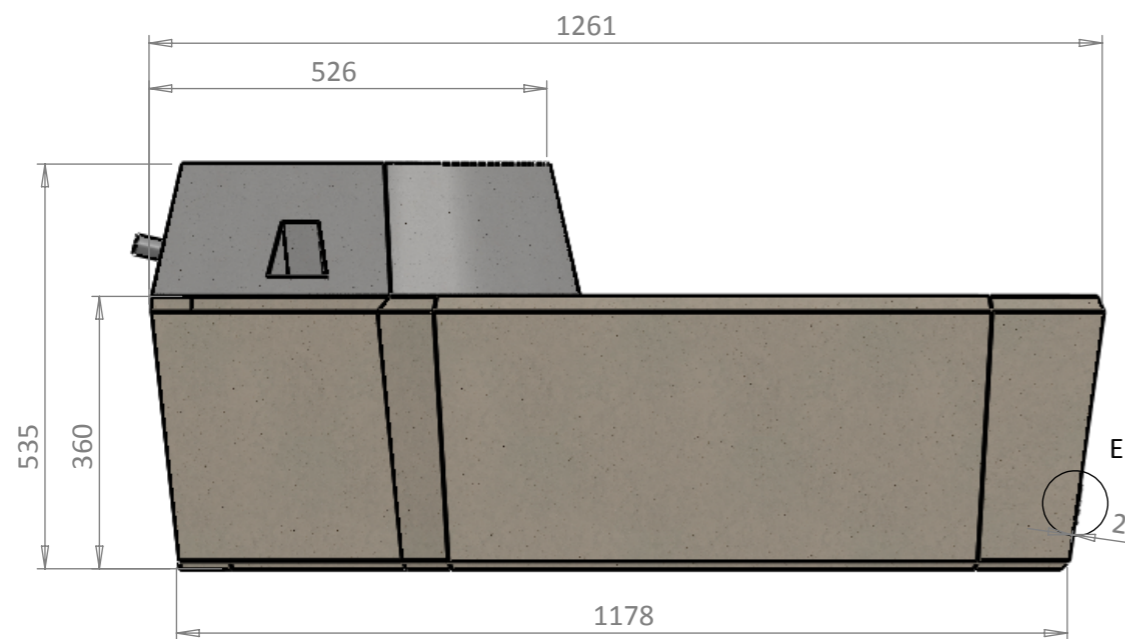
DETAIL E
SCALE 1 : 2



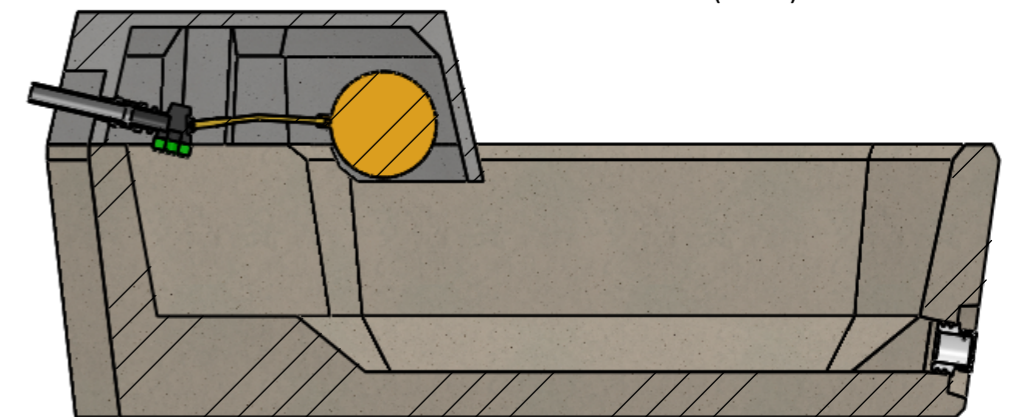
20 GALLON CONFIGURATION



DETAIL D



SECTION H-H (1 : 10)



Job No - Assembly No. 29396-SHEEP DRINKER-concrete product asm.sldprt	Revision X-02	Customer
Description	Finish	Weight 331921.25
The information contained in this drawing is the sole property of KME Ltd., any reproduction in part or whole without the written permission of KME Ltd. is prohibited.		

Projection
FIRST ANGLE PROJECTION

Unless otherwise specified dimensions are in mm & tolerances are:

<1000	±1.0
1000 - 2000	±2.0
2000 - 3000	±3.0
>3000	±5.0

Sheet 1 of 3

Do Not Scale

Drawn By PADDY Date 26 July 2016

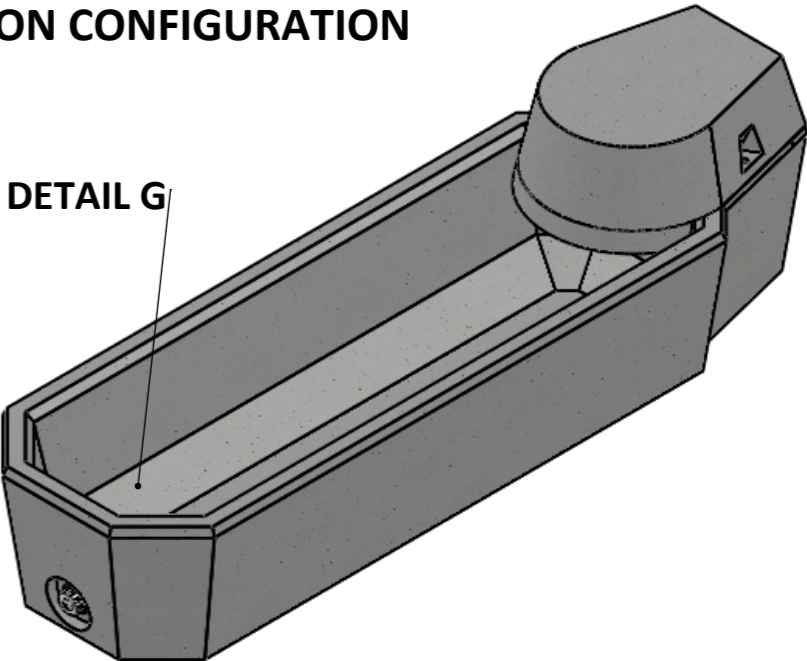
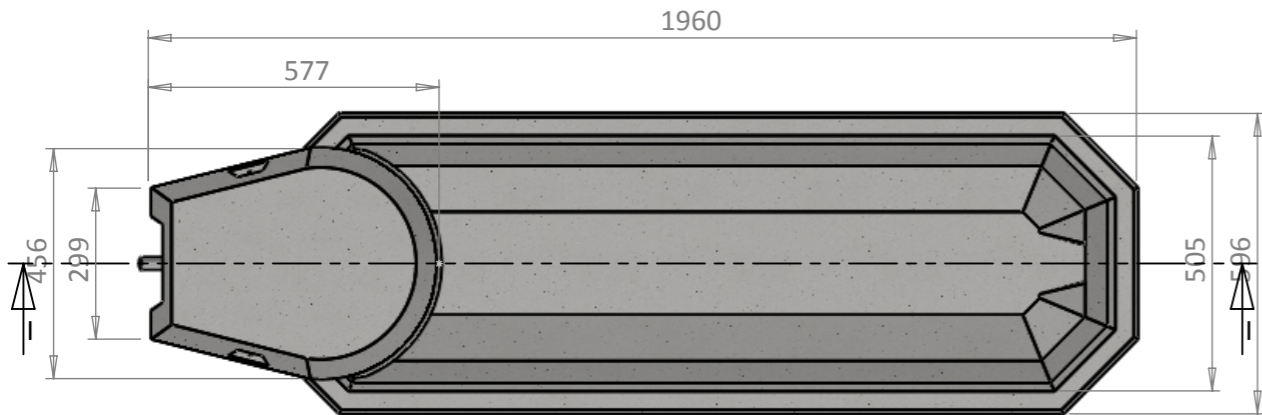
Revised By KME DESIGN Date 17 January 2017

KME STEELWORKS
19 Ferguson Drive
Knockmore Hill Industrial Park
Ballinderry Road, Lisburn
Co. Antrim, BT28 2EX
Tel: +44 (0)28 9264 0125
Fax: +44 (0)28 9266 5960

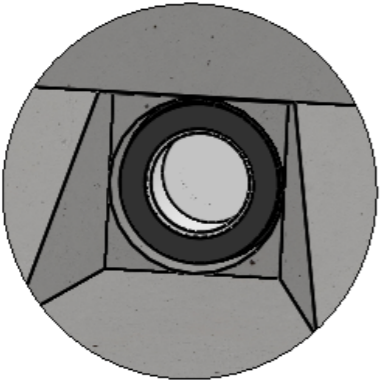
Customer Sign-Off		Note:
Name:		
Sign:		Mark Up Dimensions with KC if they are Key Dimensions.
Date:		
Approved	<input type="checkbox"/>	If Key Dimensions are missing Mark up drawing with their location
Rejected	<input type="checkbox"/>	
App pending Mark Up	<input type="checkbox"/>	



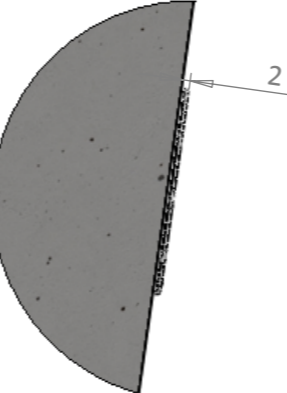
40 GALLON CONFIGURATION



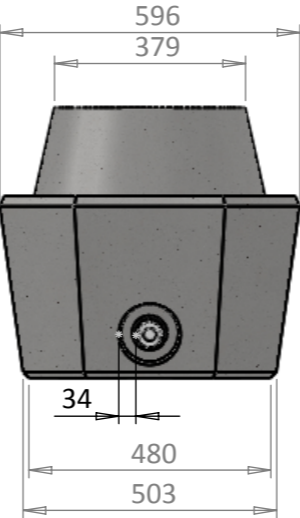
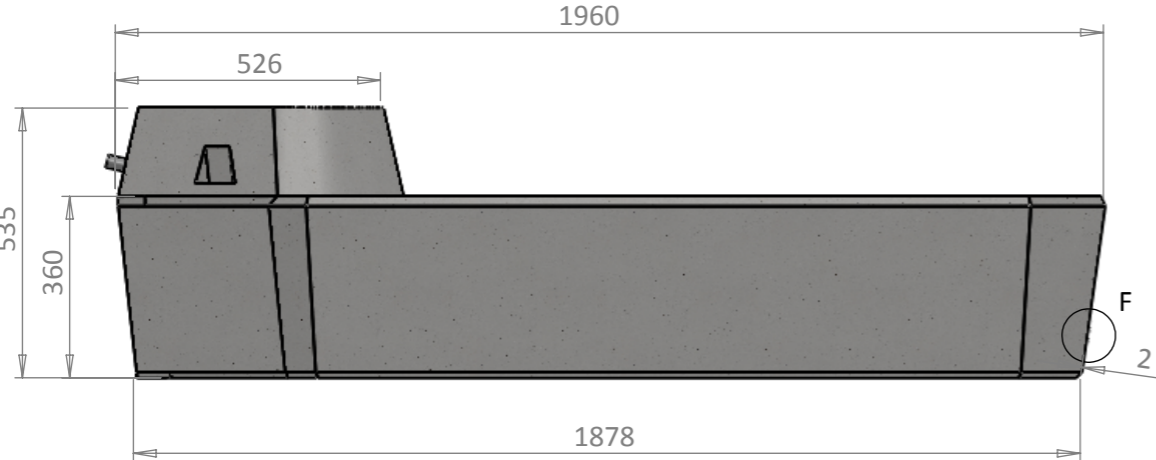
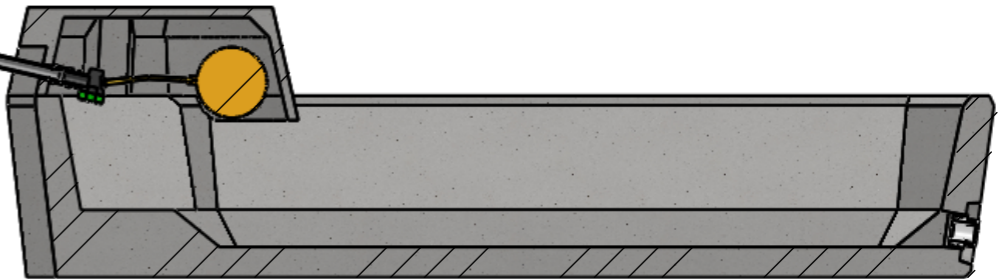
DETAIL G
SCALE 1 : 3



DETAIL F
SCALE 1 : 2



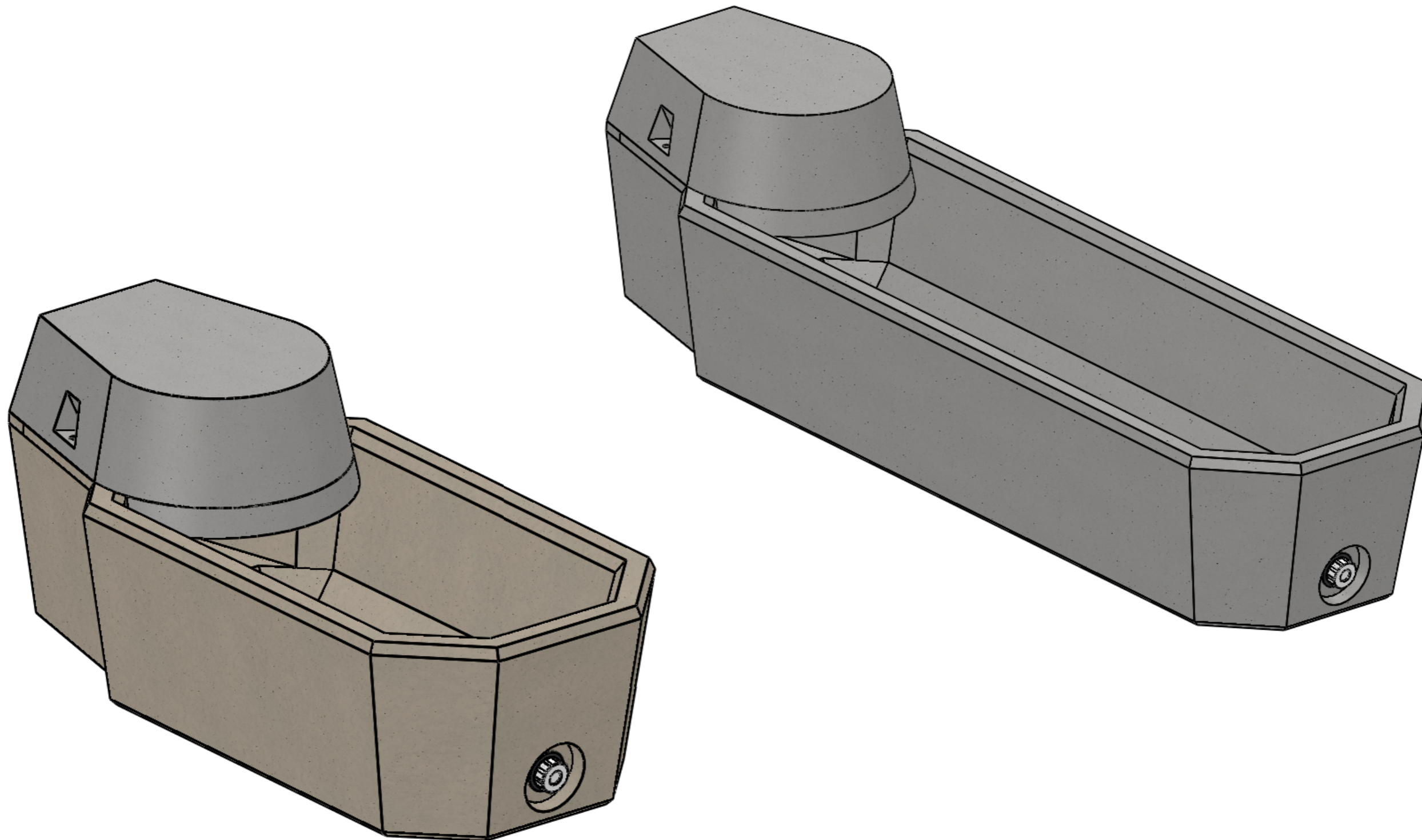
SECTION I-I (1 : 15)



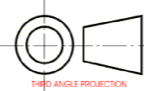

Job No - Assembly No. 29396-SHEEP DRINKER-concrete product asm.sldprt	Revision X-02	Customer	Projection 	Unless otherwise specified dimensions are in mm & tolerances are: <1000 ±1.0 1000 - 2000 ±2.0 2000 - 3000 ±3.0 >3000 ±5.0	Drawn By PADDY Date 26 July 2016
Description	Finish	Weight 331921.25			Revised By PADDY Date 17 January 2017
The information contained in this drawing is the sole property of KME Ltd., any reproduction in part or whole without the written permission of KME Ltd. is prohibited.			Sheet 2 of 3	Do Not Scale	KME STEELWORKS 19 Ferguson Drive Knockmore Hill Industrial Park Ballinderry Road, Lisburn Co. Antrim, BT28 2EX Tel: +44 (0)28 9264 0125 Fax: +44 (0)28 9266 5960

Customer Sign-Off		Note:
Name:		
Sign:		Mark Up Dimensions with KC if they are Key Dimensions.
Date:		
Approved	<input type="checkbox"/>	If Key Dimensions are missing Mark up drawing with their location
Rejected	<input type="checkbox"/>	
App pending Mark Up	<input type="checkbox"/>	





Customer Sign-Off		Note:
Name:		Mark Up Dimensions with KC if they are Key Dimensions.
Sign:		
Date:		
Approved	<input type="checkbox"/>	
Rejected	<input type="checkbox"/>	
App pending Mark Up	<input type="checkbox"/>	If Key Dimensions are missing Mark up drawing with their location

Job No - Assembly No. 29396-SHEEP DRINKER-concrete product asm.sldprt		Revision X-02		Customer		Projection 		Unless otherwise specified dimensions are in mm & tolerances are: <1000 ±1.0 1000 - 2000 ±2.0 2000 - 3000 ±3.0 >3000 ±5.0		Drawn By PADDY Date 26 July 2016	
Description		Finish		Weight 331921.25		Third Angle Projection		Revised By		Date 17 January 2017	
The information contained in this drawing is the sole property of KME Ltd., any reproduction in part or whole without the written permission of KME Ltd. is prohibited.						Sheet 3 of 3		Do Not Scale		 KME STEELWORKS 19 Ferguson Drive Knockmore Hill Industrial Park Ballinderry Road, Lisburn Co. Antrim, BT28 2EX Tel: +44 (0)28 9264 0125 Fax: +44 (0)28 9266 5960	